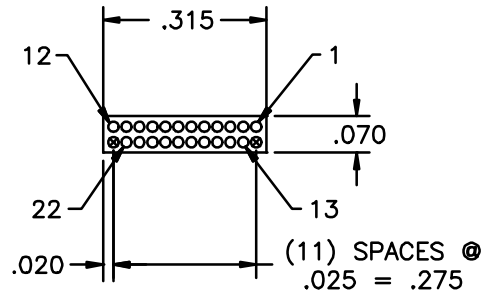
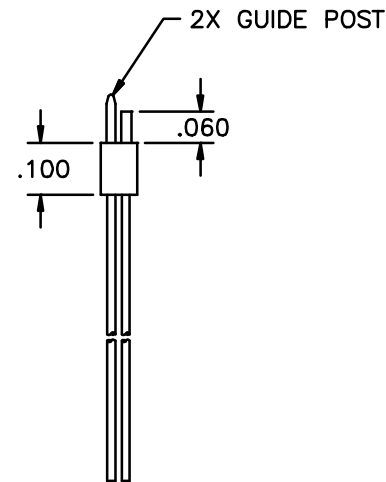
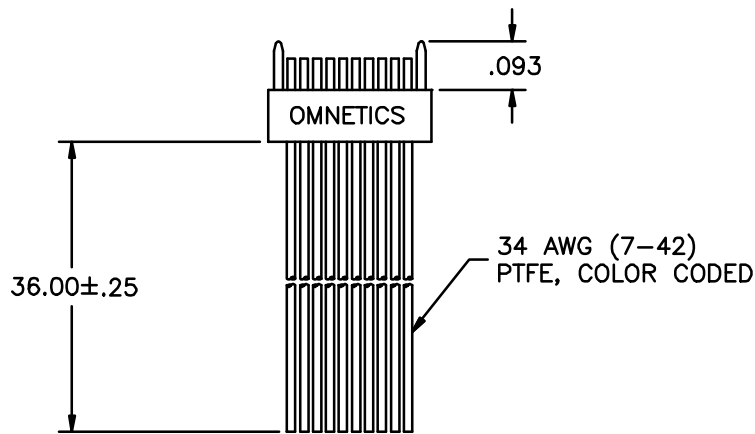


PART NO.	REV	ECO	DATE	APP
	B		11-06-03	



SOCKET	COLOR
1	BLACK
2	BROWN
3	RED
4	ORANGE
5	YELLOW
6	GREEN
7	BLUE
8	VIOLET
9	GRAY
10	WHITE
11	BLACK
12	BROWN
13	RED
14	ORANGE
15	YELLOW
16	GREEN
17	BLUE
18	VIOLET
19	GRAY
20	WHITE
21	BLACK
22	BROWN



Drawing Approval

Date

REF: PLEXON

INTERNAL USE ONLY  
SHEET 2 OF 2 IS A  
MFG LOADING DIAGRAM

NSD	-TOLERANCES- UNLESS OTHERWISE NOTED		OMNETICS CONNECTOR CORPORATION		CAGE CODE 61873
	DIMENSIONS IN INCHES		DFTM. SKP	DATE 08-15-03	TITLE:
	2 PL DEC ± .01	3 PL DEC ± .005	CHK'D.	DATE	(22) SOCKET FEMALE
	4 PL DEC ± .0005	ANGLES ±	APP'D.	DATE	DUAL ROW NANO W/GUIDE POSTS
				DWG NO. A8812-001	SHEET OF 1 2 REV B
				SCALE: 4:1	