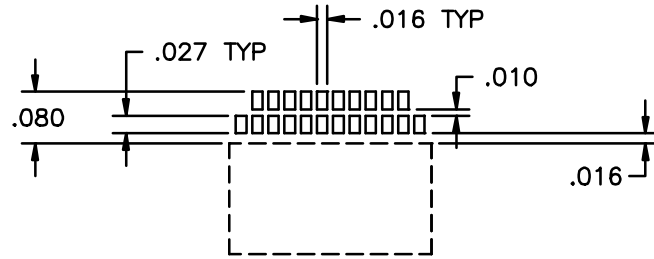
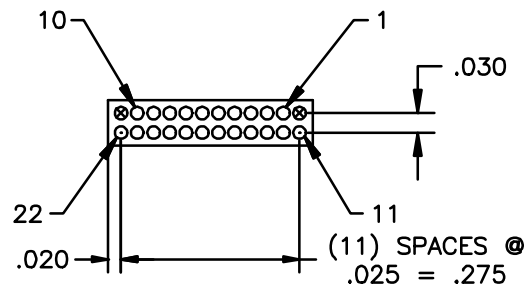
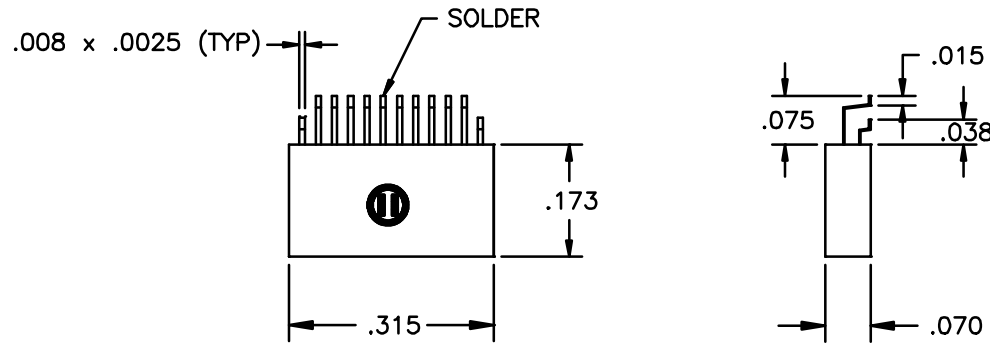


PART NO.	A8811-001	REV	ECO	DATE	APP



SUGGESTED PAD LAYOUT



Drawing Approval

Date

REF: PLEXON

-TOLERANCES- UNLESS OTHERWISE NOTED		OMNETICS CONNECTOR CORPORATION		CAGE CODE 61873	
DIMENSIONS IN INCHES		DFTM. SKP	DATE 08-15-03	DWG NO. A8811	
NPD	2 PL DEC ± .01	CHK'D.	DATE	TITLE: (22) PIN MALE	
	3 PL DEC ± .005	APP'D.	DATE	DUAL ROW NANO	
	4 PL DEC ± .0005			W/GUIDE POST HOLES	
	ANGLES ±			SHEET 1 OF 1	REV 1
				SCALE: 5:1	