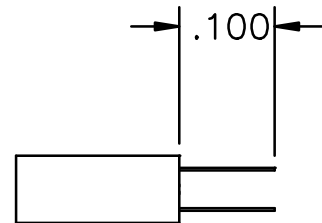
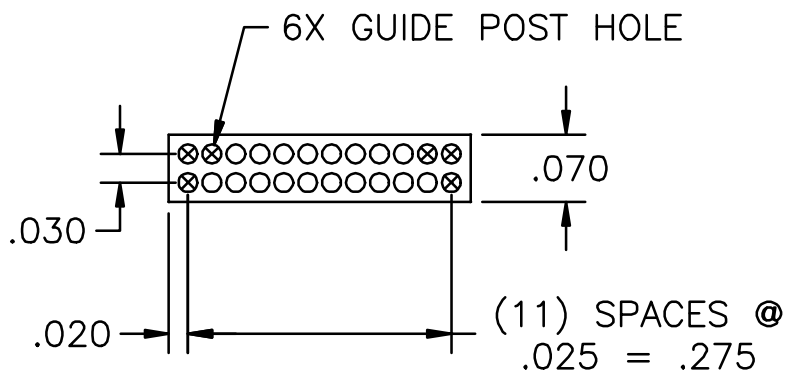
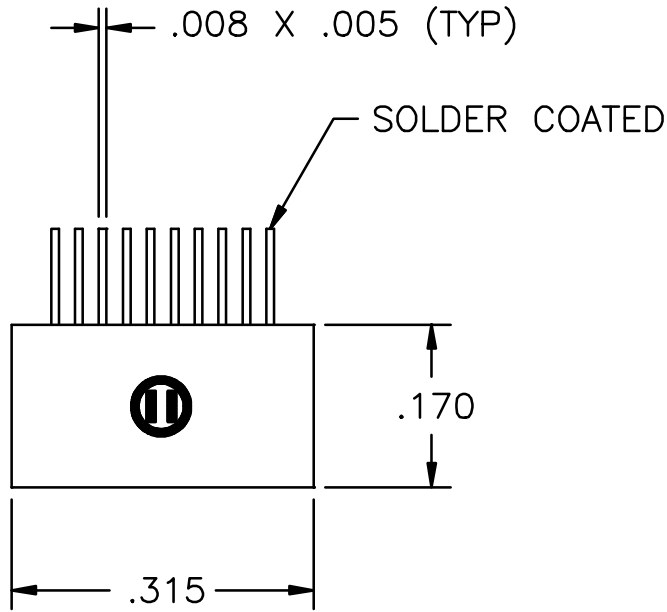


PART NO.	A8784-001	REV	ECO	DATE	APP



\_\_\_\_\_  
Drawing Approval

\_\_\_\_\_  
Date

NPD

REF: PLEXON

-TOLERANCES- UNLESS OTHERWISE NOTED		OMNETICS CONNECTOR CORPORATION		CAGE CODE 61873	
DIMENSIONS IN INCHES		DFTM. SKP	DATE 08-06-03	DWG NO. A8784	
2 PL DEC $\pm .01$		CHK'D.	DATE	SHEET 1 OF 1	
3 PL DEC $\pm .005$		APP'D.	DATE	REV 1	
4 PL DEC $\pm .0005$				SCALE: 5:1	
ANGLES $\pm$					
TITLE: (18) PIN MALE DUAL ROW NANO W/GUIDE POST HOLES					