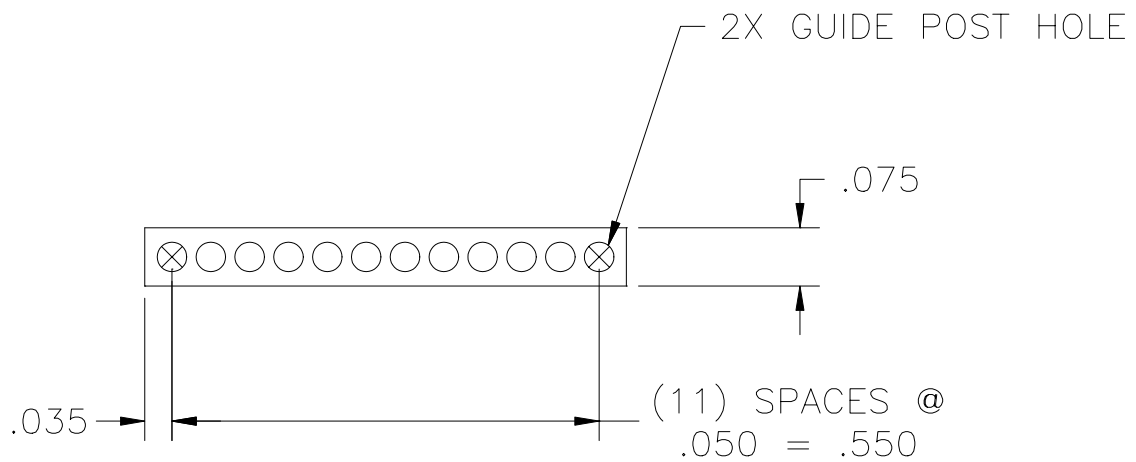
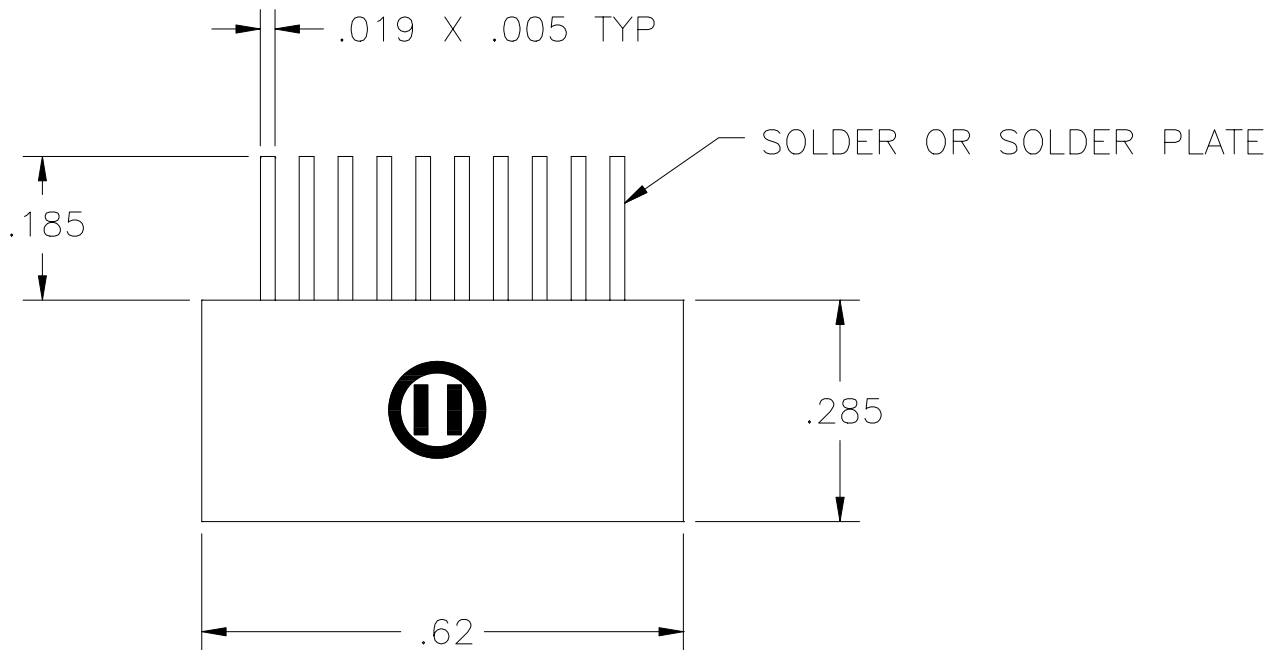


| | | | | | |
|----------|------------|-----|-------|----------|-----|
| PART NO. | A11449-001 | REV | ECO | DATE | APP |
| | | A | 91054 | 07-26-01 | SKP |



PS1

REF: PLEXON

| | | | | | |
|--|--------|--------------------------------|--------------------------------------|-----------------|--|
| -TOLERANCES- UNLESS OTHERWISE NOTED | | OMNETICS CONNECTOR CORPORATION | | CAGE CODE 61873 | |
| DIMENSIONS IN INCHES | | DFTM. JTM | DATE 06-20-01 | DWG NO. A11449 | |
| 2 PL DEC ± .01 | CHK'D. | | TITLE: (10) PIN MALE CONNECTOR | SHEET 1 OF 1 | |
| 3 PL DEC ± .005 | APP'D. | | | REV A | |
| ANGLES ± | | | | SCALE: 4:1 | |